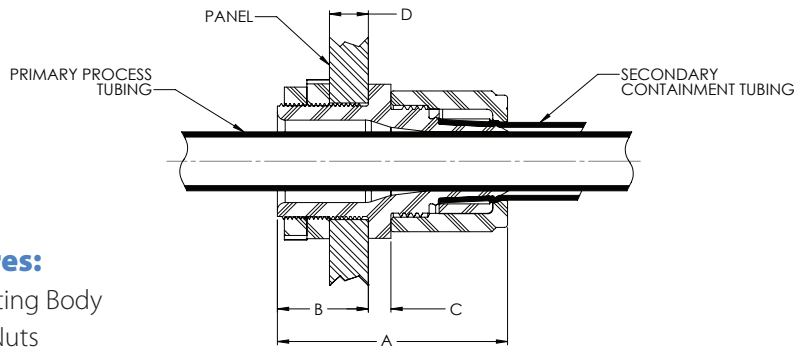


Fit-LINE

Your "Tru" Solution to Leak-Free Fitting Assemblies™

GrabLOC™ Double Containment Fittings (Terminating)

PMDC series fittings are conventional panel mount connection method, with the primary tube passing through the fitting body and a simple push-on secondary terminating tube connection. No flaring required of the secondary tube.



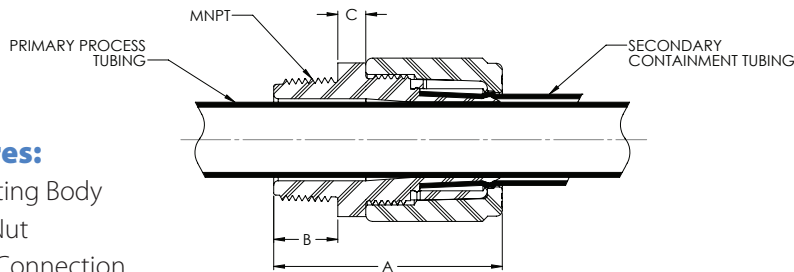
Features:

- PFA Fitting Body
- PVDF Nuts



Part Number	Primary Process Tubing	Secondary Containment Tubing	A	B	C	D	Panel Mount Hole
PMDC48GLN-1	1/4"	1/2"	2.62	1.10	0.29	0.50	1"
PMDC612GLN-1	3/8"	3/4"	2.79	1.11	0.29	0.50	1-1/4"
PMDC812GLN-1	1/2"	3/4"	2.79	1.11	0.29	0.50	1-1/4"
PMDC816GLN-1	1/2"	1"	3.36	1.57	0.29	0.50	1-1/2"
PMDC1216GLN-1	3/4"	1"	3.01	1.13	0.38	0.50	1-1/2"
PMDC1620GLN-1	1"	1-1/4"	3.47	1.27	0.38	0.50	2"

MCDC series fittings are used on a box or cabinet that have a female NPT. The primary process tubing passes through the fitting body and a simple push-on secondary terminating tube connection. No flaring required of the secondary tube.



Features:

- PFA Fitting Body
- PVDF Nut
- MNPT Connection



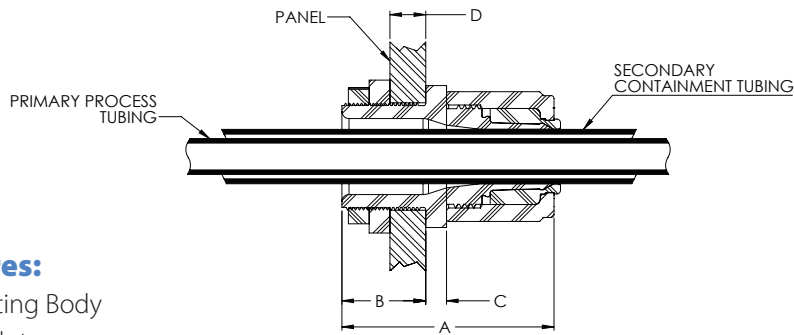
Part Number	Primary Process Tubing	Secondary Containment Tubing	Male National Pipe Thread (MNPT)	A	B	C
MCDC48GL-8N-1	1/4"	1/2"	1/2"	2.17	0.66	0.29
MCDC612GL-12N-1	3/8"	3/4"	3/4"	2.35	0.67	0.29
MCDC812GL-12N-1	1/2"	3/4"	3/4"	2.35	0.67	0.29
MCDC816GL-16N-1	1/2"	1"	1"	2.73	0.85	0.38
MCDC1216GL-16N-1	3/4"	1"	1"	2.73	0.85	0.38
MCDC1620GL-20N-1	1"	1-1/4"	1-1/4"	3.07	0.86	0.38



Your "Tru" Solution to Leak-Free Fitting Assemblies™

GrabLOC™ Double Containment Fittings (Non-Terminating)

PMBP series panel mount fittings allow the primary and secondary tubes to pass through the fitting body. This allows chemistry to flow back to the supply source if the primary tube leaks.



Features:

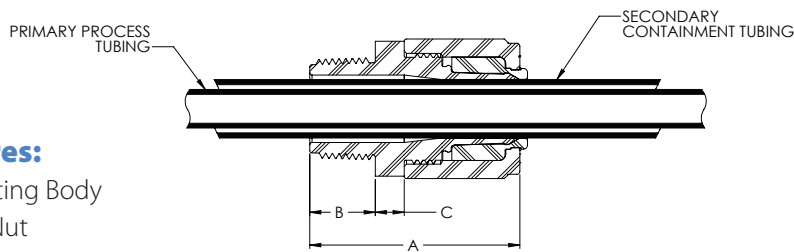
- PFA Fitting Body
- PVDF Nut



Tubing not included. Shown for clarity only.

Part Number	Secondary Containment Tubing	A	B	C	D	Panel Mount Hole	Primary Tubing Sizes
PMBP8GLN-1	1/2"	2.79	1.11	0.29	0.50	1-1/4"	1/4"
PMBP12GLN-1	3/4"	3.01	1.13	0.38	0.50	1-1/2"	1/2", 3/8", 1/4"
PMBP16GLN-1	1"	3.47	1.27	0.38	0.50	2"	3/4", 1/2", 3/8", 1/4"

MCBP series fittings are used on a box or cabinet that have a female NPT. The primary and secondary tubing pass through the fitting body. This allows chemistry to flow back to the supply source if the primary tube leaks.



Features:

- PFA Fitting Body
- PVDF Nut
- MNPT Connection



Tubing not included. Shown for clarity only.

Part Number	Secondary Containment Tubing	Male National Pipe Thread (MNPT)	A	B	C	Primary Tubing Sizes
MCBP8GL-12N-1	1/2"	3/4"	2.35	0.67	0.29	1/4"
MCBP12GL-16N-1	3/4"	1"	2.73	0.85	0.38	1/2", 3/8", 1/4"
MCBP16GL-20N-1	1"	1-1/4"	3.07	0.86	0.38	3/4", 1/2", 3/8", 1/4"



GrabLOC Wrenches

- Patent pending ratcheting action.
- Allows the nut to be rapidly tightened, making assemblies easier and faster.

Nut Size	Part Number
1/2"	DCW8-1
3/4"	DCW12-1
1"	DCW16-1
1-1/4"	DCW20-1